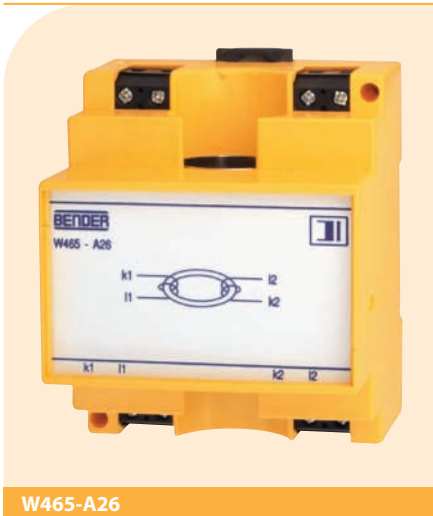


## Measuring current transformer W465-A26



W465-A26

### Product description

The highly-sensitive measuring current transformer W465-A26 in combination with RCMA472LY devices converts AC and DC residual currents into evaluable AC voltage. The CTs are connected to the respective RCMA by four-wires. The cable length between the CT and the RCMA should not exceed 10 m.

Make sure that all live conductors are routed through the measuring current transformer and that these conductors are not shielded.

Never route a PE conductor through the measuring current transformer!

### Application

- for AC/DC sensitive residual current monitors of the RCMA420 series

### Approvals



### Technical data W465-A26

#### Insulation coordination acc. to IEC 60044-1 / IEC 60664-3

Rated insulation voltage	800 V
Rated impulse voltage / pollution degree	8 kV / III

#### CT circuit

Rated primary residual current	30...500 mA
Rated continuous thermal current $I_{cth}$	20 A

#### Environmental conditions

Operating temperature	-10 °C...+50 °C
Climatic class acc. to DIN IEC 60721-3-3	3K5
Stationary use (IEC 60721-3-3)	3K5 (except condensation and formation of ice)
Transport (IEC 60721-3-2)	2K5 (except condensation and formation of ice)
Long-time storage	1K5 (except condensation and formation of ice)
Classification of mechanical conditions acc. to IEC 60721	
Stationary use (IEC 60721-3-3)	3M4
Transport (IEC 60721-3-2)	2M2
Long-time storage (IEC 60721-3-1)	1M3

#### Connection

Type of connection	terminal
rigid / flexible	0.2...4 / 0.2...2.5 mm <sup>2</sup>
flexible with ferrules with / without plastic collar	0.25...2.5 mm <sup>2</sup>
Conductor sizes (AWG)	24-12

#### Connection RCMA472LY – Measuring current transformer

Single wire $\geq 0.75$ mm <sup>2</sup>	0...10 m
---	----------

#### Other

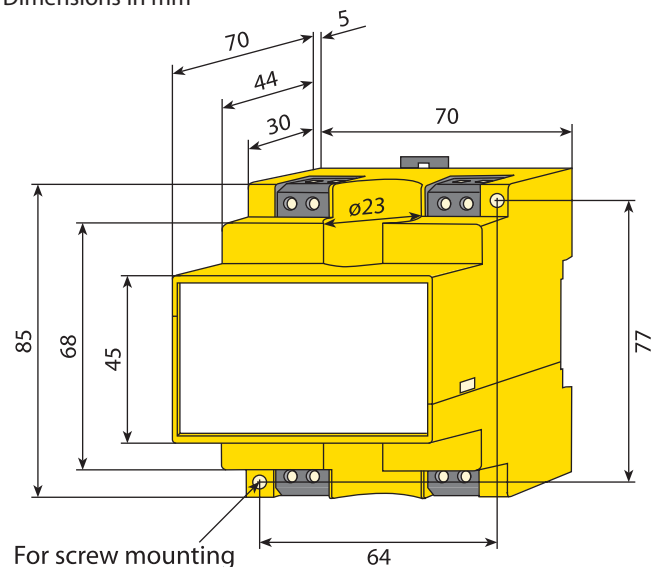
Degree of protection, internal components (IEC 60529)	IP40
Degree of protection, terminals (IEC 60529)	IP20
Type of enclosure	XL460
Enclosure material	polycarbonate
Screw mounting	2 x M4
DIN rail mounting acc. to	IEC 60715
Flammability class	UL94V-0
Standards	IEC 60044-1
Instruction leaflet	BP409001

### Ordering information

Type	Inside diameter	UL	Art. No.
W465-A26	23 mm	×	B 911 754

### Dimension diagram XL460

Dimensions in mm



### Selection list

Type	RCMA470LY	RCMA471LY	RCMA472LY
W465-A26	--	--	×