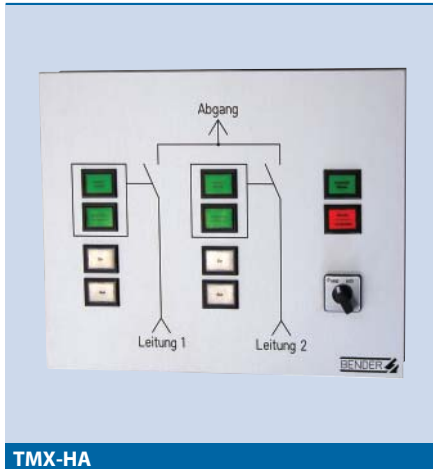


## TMX-HA operator panel

Alarm indicator and operator panel for manual/automatic operation  
of changeover equipment of the UMC...-HA und USC...-HA series



TMX-HA

### Product description

The TMX-HA alarm indicator and operator panel is used to select manual or automatic operating mode at the changeover equipment UMC...-HA or the control module USC...-HA. The panel is recommended to be installed in the cabinet door of the distribution board incorporating the changeover equipment. By means of a toggle switch manual or automatic mode can be selected. Indicator lights show the respective operating mode. In the manual mode, the respective line is switched on via the buttons On/Off.

An additional indicator light "Fault/manual mode" is built-in to signal faults in the changeover equipment. The other indicator lights are designed to indicate the current operating condition of Line 1 and Line 2.

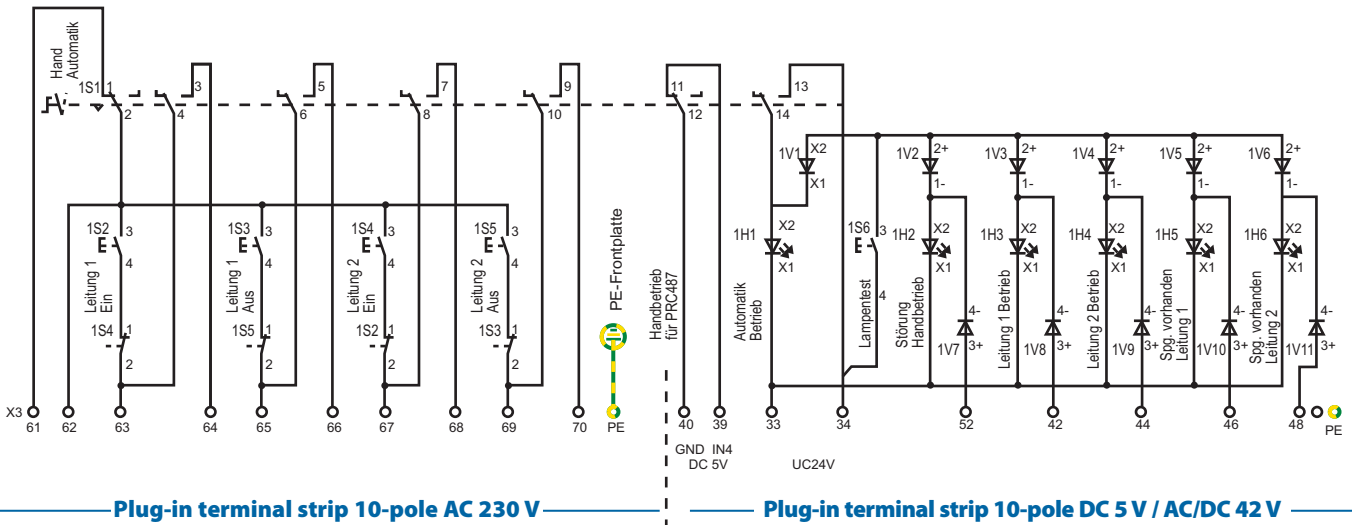
### Functions

- Toggle switch for manual/automatic changeover
- On/Off button for Line 1 and Line 2 in manual mode
- Indicator light "Fault/Manual mode" lights up on the occurrence of a fault in the changeover module equipment or indicates manual mode.
- Indicator light "Automatic" lights up in case of automatic mode.
- Two green "On" indicator lights for Line 1 and Line 2 alternatively: "K1 On", "K2 On" or "Q1 On", "Q2 On"
- Two green indicator lights "Voltage present" or "AV voltage present" "UPS voltage present"; alternatively two red indicator lights for "Q1 triggered" and "Q2 triggered" for use in conjunction with circuit breakers.

### Device features

- Front plate made of anodized aluminium
- Indicator lights for Line 1/2:  
On, Automatic, Fault/Manual mode
- Indicator lights for Line 1/2:  
voltage present, alternatively:  
circuit breaker Q1/Q2 triggered
- Pushbutton On/Off Line 1/2
- Engraved block diagram
- Toggle switch for manual/automatic  
changeover

**Wiring diagram**



**Technical data**

Rated insulation voltage	230 V, 50...60 Hz
Type of voltage	AC
Supply voltage indicator lights	AC/DC 24 V

**Built-in components**

Indicator light "K1 On"	labelled: On/K1 On/Q1 On
Indicator light "K2 On"	labelled: On/K2 On/Q2 On
Two indicator lights	labelled: voltage present
Alternative labelling	AV voltage present, SV voltage present, UPS voltage present, when used in conjunction with circuit-breakers: Q1 (Q2) triggered

"On" button Line 1	yes
"On" button Line 2	yes
"Off" button Line 1	yes
"Off" button Line 2	yes
Indicator light "Fault/Manual mode"	yes
Indicator light "Automatic mode"	yes
Toggle switch manual/automatic	yes

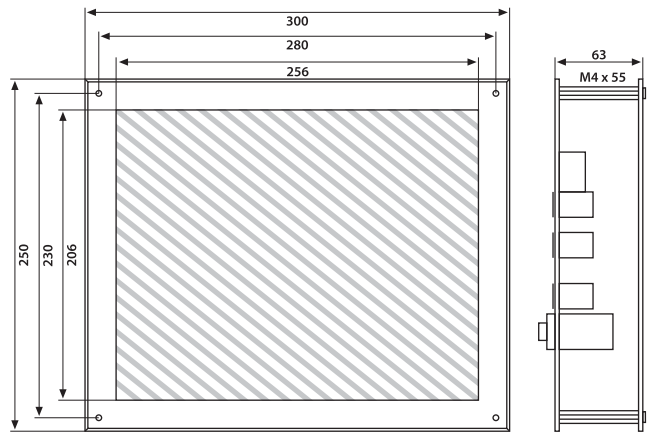
**General data**

EMC immunity	acc. to EN 61000-6-2
EMC emission	acc. to EN 61000-6-4
Degree of protection, internal components/terminals (DIN EN 60529)	IP30/IP20
Protection class	Class I
Ambient temperature	-5 °C...+55 °C
Product standards	IEC 60364-7-710 / DIN VDE 0100-710 (VDE 0100-710)
Weight	≤ 1400 g

**Ordering information**

Type	Art. No.
TMX-HA	B 9202 4051

**Dimension diagram**  
Dimensions are given in mm



**2.1**