

Coupling device AGH675S-7

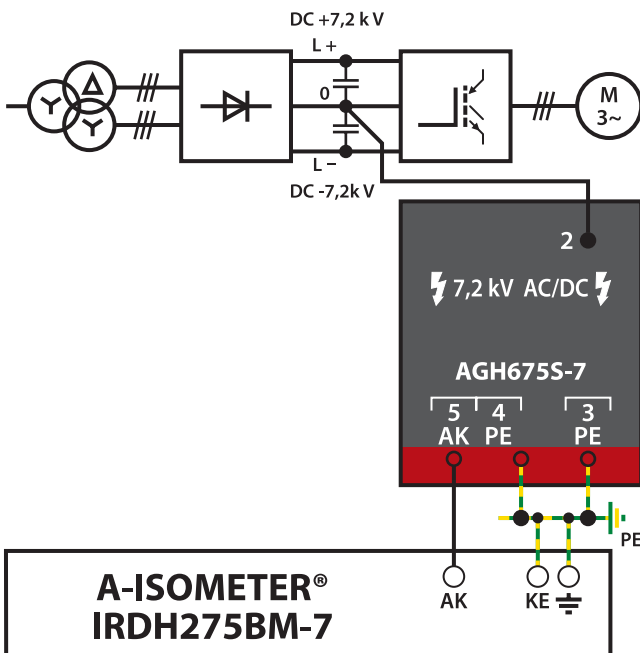
Product description

The coupling device AGH675S-7 is designed to extend the nominal voltage range of the A-ISOMETER® IRDH275BM-7 to AC/0...7.2 kV. The coupling device is connected to the system to be monitored by one pole and connected to the terminal AK of the A-ISOMETER® by means of the terminal 5.

Approvals



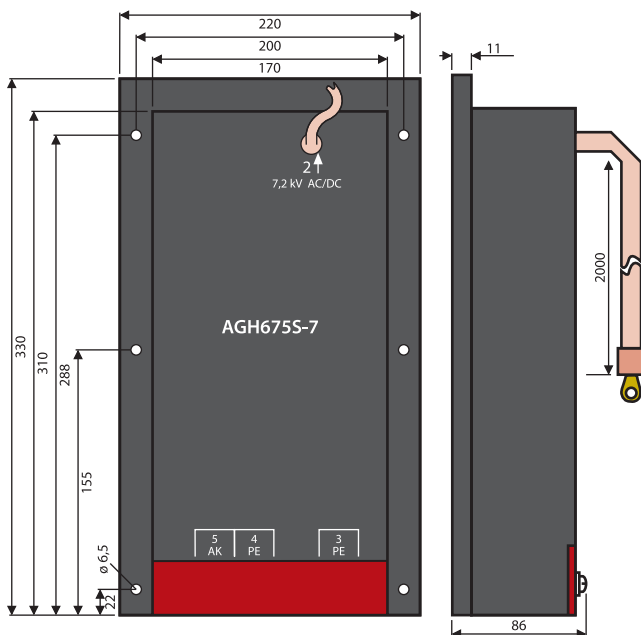
Wiring diagram (example)



Technical data coupling device AGH675S-7

Insulation coordination based on IEC 61800-5-1: 2003	
Rated insulation voltage	AC 7.2 V
Voltage test based on IEC 61800-5-1: 2003	
Type test	
Voltage impulse test	AC 80 kV
AC voltage test	AC 40 kV
Partial discharge test	14 kV _{eff}
Routine test:	
AC voltage test, rate of increase < 2 kV/s	AC 40 kV
Voltage ranges	
Nominal system voltage U _n	AC/3(N)AC/DC 0...7.2 kV
Rated frequency fn	0...460 Hz
General data	
Shock resistance IEC 60068-2-27 (during operation)	15 g/11 ms
Bumping IEC 60068-2-29 (during transport)	40 g/6 ms
Vibration resistance IEC 60068-2-6 (during operation)	1 g/10...150 Hz
Vibration resistance IEC 60068-2-6 (during transport)	2 g/10...150 Hz
Ambient temperature (during operation/during storage)	-10 °C...+55 °C/-40 °C...+70 °C
Climatic class acc. to DIN IEC 60721-3-3	3K5
Operating mode	continuous operation
Mounting	any position
Connection medium voltage	high-voltage cable (encapsulated on the device side)
Connection terminals 3, 4, 5	screw-type terminals
Connection, rigid/flexible	0.2...4 mm ² /0.2...2.5 mm ²
Connection, flexible with ferrule	0.25...2.5 mm ²
Degree of protection, internal components /terminals (DIN EN 60529)	IP64/IP20
Type of enclosure	resin-encapsulated block
Screw mounting	M5
Flammability class	UL94 V-0
Operating manual	TGH1395 (IRDH275BM-7)
Weight	approx. 5.1 kg

Dimension diagram AGH675S-7 Dimensions in mm



Ordering information

Type	Nominal system voltage U _n	Art. No.
AGH675S-7	AC/DC 0...7.2 kV 0...460 Hz	B 913 054

1.8.1